

SELF RIMMING LAVATORY BOWL

Cat. No.
5752



Side to Side: 21 3/4"
Front to Back: 17 3/8"

Features:

- ▶ 20 Gauge Metal
- ▶ Oval Shape
- ▶ Brass bowls are not coated and will tarnish. Customer care is required.

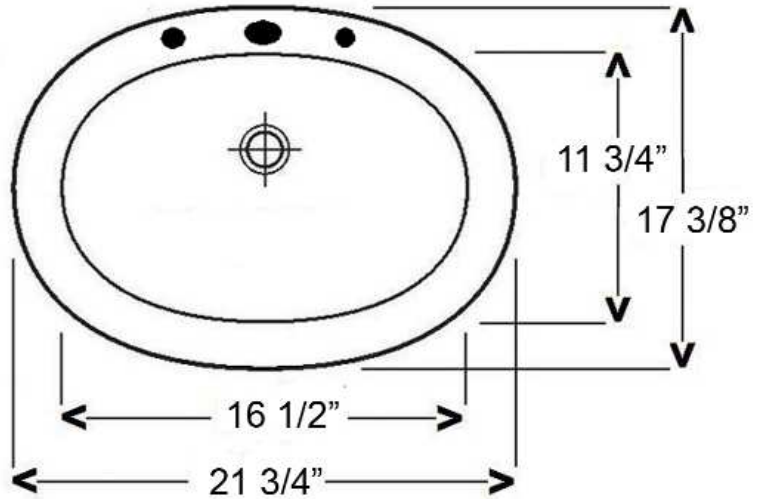
Colors:

BC Cracked Brass
SP Polished Stainless

Compliance Certification
Meets or exceeds the following specifications: ASME A112.19.3-2001 (and 19.6M) for stainless fixtures.

Interior Dimensions:

Basin Interior: 16 1/2" x 11 3/4"
Basin Depth: 3 1/4"



Dimensions of fixture are nominal and may vary within the range of tolerances established by ANSI Standard A112.19.3. Dimensions and specifications subject to change without notice.